


for equipotential bonding cables



**DP 9026**

- 4-25 mm<sup>2</sup> / 4-10 mm<sup>2</sup>, Cu

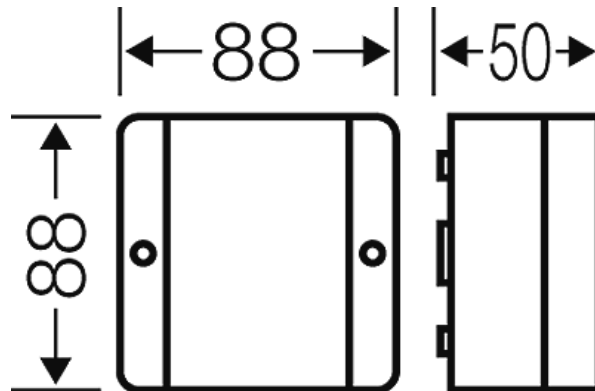
IP  
54

- with terminals
- 1-pole 1 x 4-25 mm<sup>2</sup>, 5 x 4-10 mm<sup>2</sup> (16 mm<sup>2</sup> sol)
- for equipotential bonding cables
- included cable entry: 4 DPS 02, sealing range Ø 10-13,5 mm
- colour: grey, RAL 7035

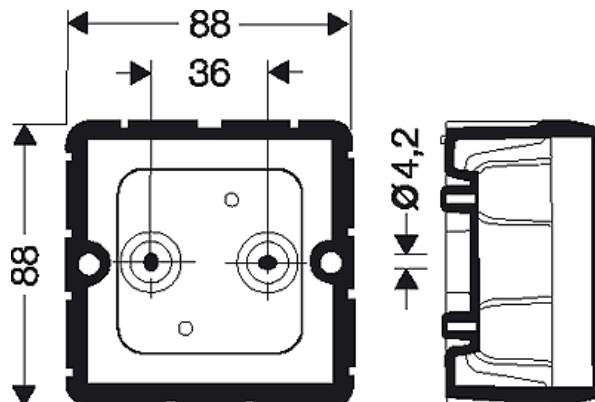
material	PS (Polystyrene)
degree of protection	IP 54
width	88 mm
height	88 mm
depth	49 mm
weight	0,162 kg

### Drawings

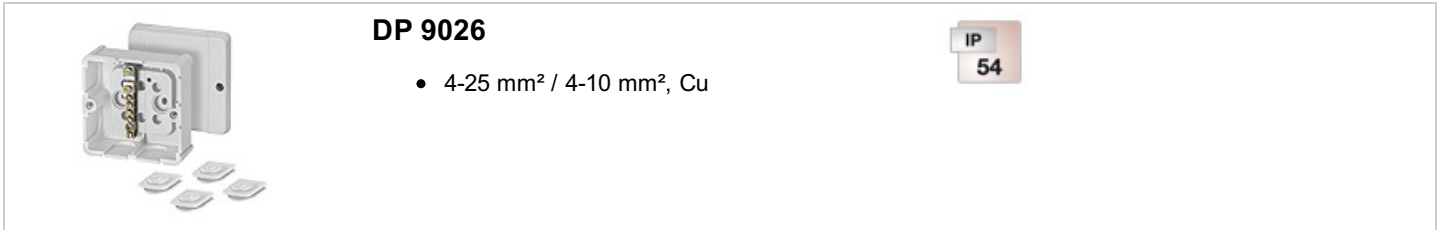
Dimension drawing



Detail mass



for equipotential bonding cables

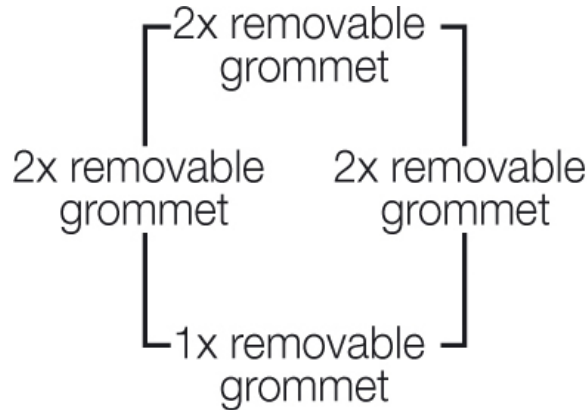


**DP 9026**

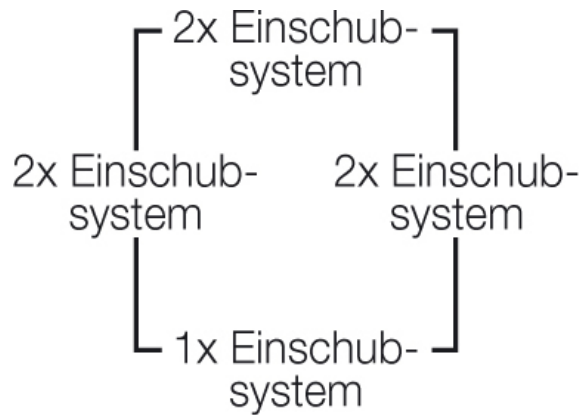
- 4-25 mm<sup>2</sup> / 4-10 mm<sup>2</sup>, Cu



Box walls



Box walls



### Operating and ambient conditions

Application area	Suitable for indoor installation and outdoor installation, protected against weather influences
Ambient temperature	Average value over 24 hours + 35 °C Maximum value + 40 °C Minimum value - 25 °C
Relative humidity	50% at 40° C short-time 100% at 25° C
Fire protection in the event of internal faults	Demands placed on electrical devices from standards and laws Minimum requirements - Glow wire test in accordance with IEC 60695-2-11: - 650°C for boxes and cable glands - 850°C for parts of insulating material necessary to retain current carrying parts in position
Burning behaviour	Glow wire test IEC 60695-2-11: 750 °C UL Subject 94: V-2

Degree of protection against mechanical load

IK07 (2 Joule)

Toxic behaviour

halogen-free  
silicone-free  
"halogen-free" in accordance with the examination of the cables  
and insulated wires - corrosiveness of fumes - as per IEC 60754-2

Note:

For material properties see technical data.