





Empty enclosures in accordance with IEC 62208



EB 50 B

- Built-in dimensions W 215 x H 320 x D 106 mm

- for installation equipment on DIN rails or mounting plates (order separately)
- with opaque lid
- fastener for tool operation
- sealable
- box walls without knockouts
- external brackets for wall fixing included
- colour: black, RAL 9011
- material: PC (polycarbonate)
- colour: black, RAL 9011

rated insulation voltage	$U_i = 1000 \text{ V a.c./d.c.}$
impact strength	IK 09 (10 Joule)
static load	mounting plate or DIN rail = 6.5 kg lid = 2.1 kg
power dissipation capability at $\Delta\vartheta = 40 \text{ K}$	$P_{de} = 27 \text{ watts}$
wall thickness	enclosure = 3 mm lid = 2 mm
material	PC-GFS (polycarbonate)
degree of protection	IP 66
mounting width	320 mm
mounting height	215 mm
max. installation depth	106 mm
width	355 mm
height	255 mm
depth	122 mm
weight	1,299 kg
in accordance with	IEC 62208:2011

Drawings

Empty enclosures in accordance with IEC 62208

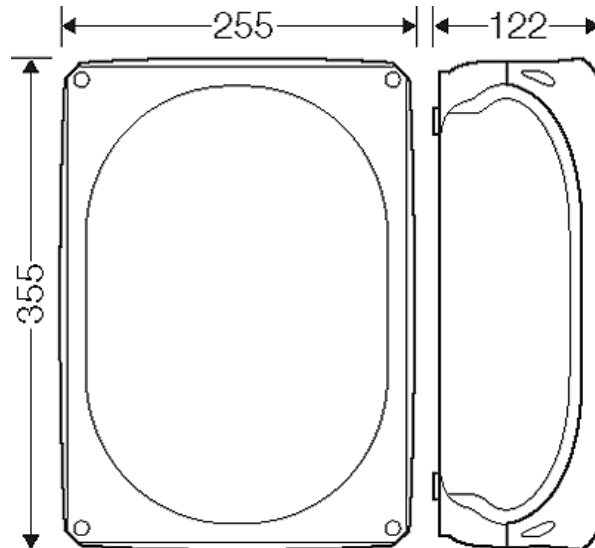


EB 50 B

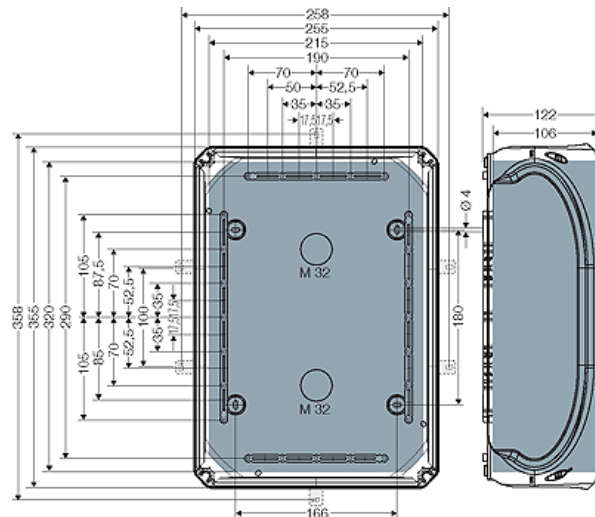
- Built-in dimensions W 215 x H 320 x D 106 mm



Dimension drawing



Detail mass



Operating and ambient conditions





Application area

"weatherproof" resistant to weather influences (UV due to solar radiation, protected against rainwater, temperature resistant, impact resistant, etc.)
To reduce the formation and accumulation of condensed water see technical information.

Ambient temperature

Average value over 24 hours + 55 °C
Maximum value + 70 °C
Minimum value - 25 °C

Empty enclosures in accordance with IEC 62208

	<p>EB 50 B</p> <ul style="list-style-type: none">Built-in dimensions W 215 x H 320 x D 106 mm	  
---	--	---

Toxic behaviour

halogen-free
silicone-free
"halogen-free" in accordance with the examination of the cables and insulated wires - corrosiveness of fumes - as per IEC 60754-2

Note:

For material properties see technical data.