


Approved for intrinsic fire resistance, material: Sheet steel



FK 5000

- Communication junction box E30
- for the installation of connecting device for telecommunications

IP
55

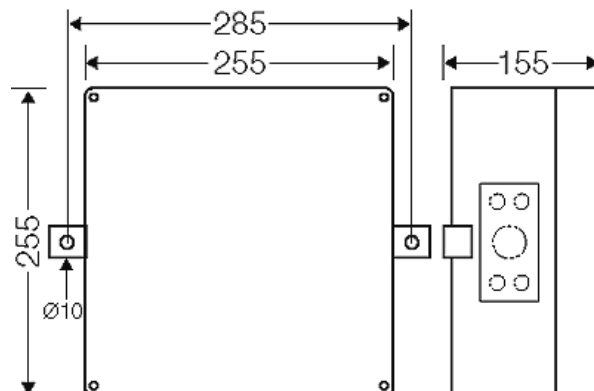
E30

- without terminals
- with mounting brackets for mounting a maximum of 2 connecting devices for telecommunications
- intrinsic fire resistance in accordance with DIN 4102-12 (German standard) in combination with function-retaining cables
- cable entry via integrated elastic membranes
- cable entry on 4 sides each 1 x up to Ø 36 mm and 4 x up to Ø 14 mm
- the attached screw anchors must be used for concrete ≥ C20/25, B25 up to ≤ C50/60, B55
- the use of this equipment requires the approval from the building and regulatory authorities for the individual case
- general approval by the German building authorities DIBt: Z-86.1-37, Celsion fire protection systems, download at www.hensel-electric.de > FK 5000 - documents
- colour: orange, RAL 2003

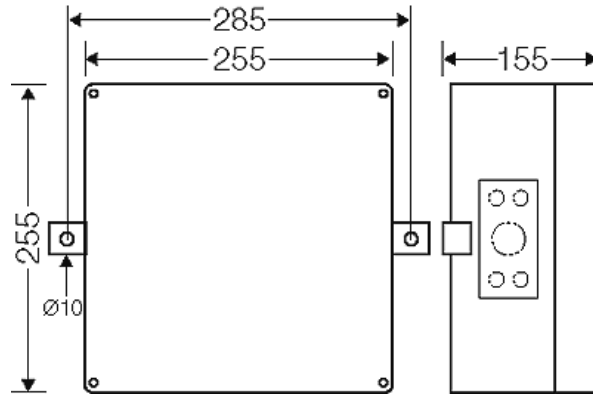
material	Sheet steel, powder-coated
degree of protection	IP 55
height	255 mm
width	255 mm
depth	160 mm
weight	5,97 kg
in accordance with	intrinsic fire resistance E 30 in accordance with DIN 4102 part 12

Drawings

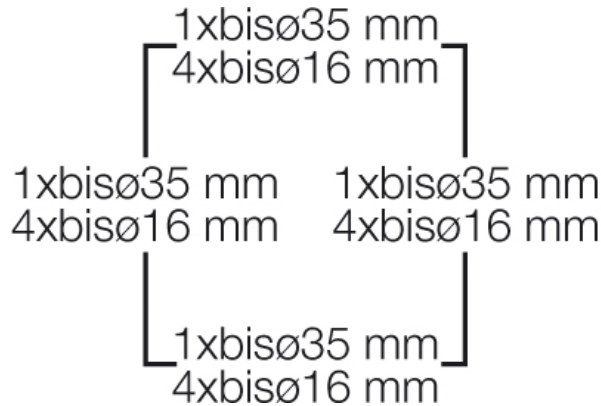
Dimension drawing




Dimension drawing



Box walls



Approved for intrinsic fire resistance, material: Sheet steel



FK 5000

- Communication junction box E30
- for the installation of connecting device for telecommunications

IP
55

E30

Operating and ambient conditions

Application area	Suitable for indoor installation and outdoor installation, protected against weather influences
Ambient temperature	Average value over 24 hours + 35 °C Maximum value + 40 °C Minimum value - 25 °C
Relative humidity	50% at 40° C short-time 100% at 25° C
Degree of protection against mechanical load	IK10 (20 Joule)
Toxic behaviour	Sheet steel, powder-coated halogen-free "halogen-free" in accordance with the examination of the cables and insulated wires - corrosiveness of fumes - as per IEC 60754-2