


Approved for intrinsic fire resistance, material: Sheet steel



FK 9255

- Cable junction box 1.5-6 mm², Cu
- Connection box 1.5-16 mm², Cu

IP
66

E30
E60
E90

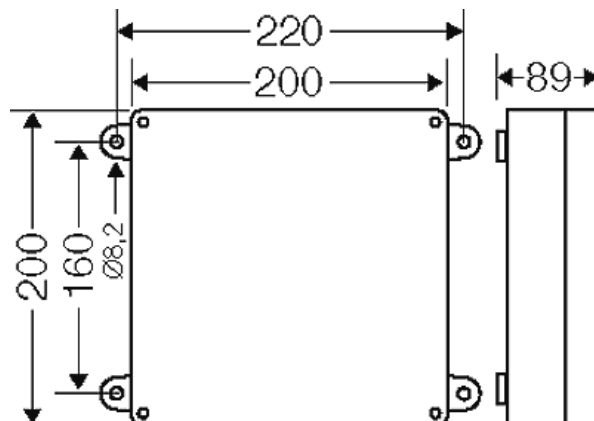
PH120

- 5-pole per pole 4 x 1.5 mm² r, 4 x 2.5 mm² r, 4 x 4 mm² r, 4 x 6 mm² r, 2 x 10 mm² r, 2 x 16 mm² r (remove wire protection)
- connecting terminal made from ceramic with resistance to high temperatures
- mounted grommets 4 EDKF 40, sealing range Ø 11-30 mm, closed
- intrinsic fire resistance in accordance with DIN 4102-12 (German standard) in combination with function-retaining cables
- tested with cable manufacturers Dätwyler, Eupen, Nexans, Studer, Pirelli and Lynenwerk for the intrinsic fire resistance E30 and E90, see test certificate no.: P-MPA-E-02-032, valid till 20 March 2023, download available from www.hensel-electric.de
- tested for insulation integrity PH120 in accordance with BS EN 50200 in connection with insulation retaining cables, see test certificate, download available from www.hensel-electric.de > type - documents
- mounted using exterior wall fixings, bore hole 8.2 mm (for dowels refer to technical data)
- for normal environment and protected outdoor
- colour: orange, RAL 2003


| | |
|--------------------------------|---|
| rated insulation voltage | U _i = 400 V a.c./d.c. |
| rated current: | 63 A |
| material | Sheet steel, powder-coated |
| tightening torque for terminal | 2.0 Nm |
| degree of protection | IP 66 |
| height | 200 mm |
| width | 200 mm |
| depth | 80 mm |
| weight | 2,133 kg |
| in accordance with | DIN 4102 part 12 IEC 60670-22 BS EN 50200 |

Drawings

Dimension drawing



Approved for intrinsic fire resistance, material: Sheet steel



FK 9255

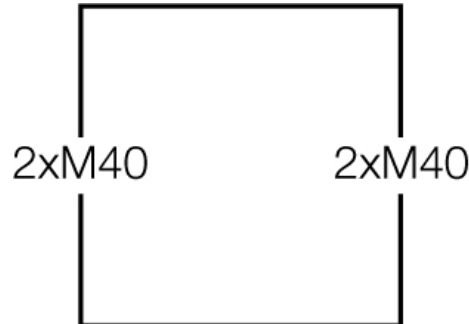
- Cable junction box 1.5-6 mm², Cu
- Connection box 1.5-16 mm², Cu

IP
66

E30
E60
E90

PH120

Box walls



Operating and ambient conditions

| | |
|--|---|
| Application area | Suitable for indoor installation and outdoor installation, protected against weather influences |
| Ambient temperature | Average value over 24 hours + 35 °C Maximum value + 40 °C Minimum value - 25 °C |
| Relative humidity | 50% at 40° C short-time 100% at 25° C |
| Degree of protection against mechanical load | IK10 (20 Joule) |
| Toxic behaviour | Sheet steel, powder-coated halogen-free "halogen-free" in accordance with the examination of the cables and insulated wires - corrosiveness of fumes - as per IEC 60754-2 |