


## with terminal blocks



**RK 1019 T**

- 0.14-6 mm<sup>2</sup>, Cu

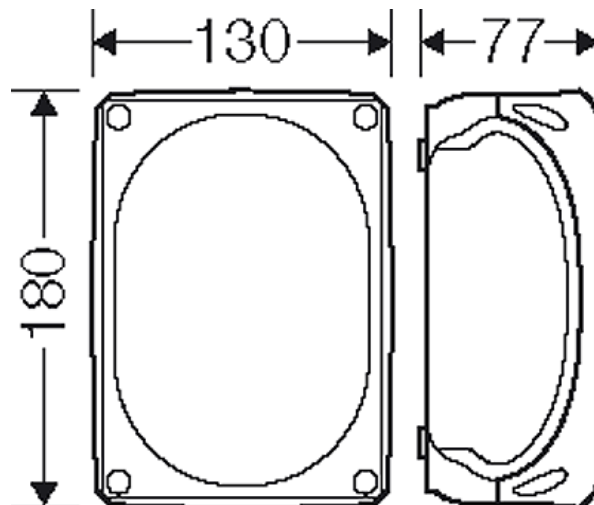
IP  
66

- 19 terminal blocks WT 4
- terminal blocks, by Wieland
- jumper bars for terminal blocks: make Wieland IVB WKF 4
- terminal marking, neutral
- with elastic membranes, which can be removed for cable entry via cable glands, sealing range 9.0-21.0 mm
- with two cable entries in the bottom, sealing range Ø 9.0-20.0 mm
- lid fasteners sealable without accessories
- retaining strap and external brackets for wall fixing included
- colour: grey, RAL 7035
- To close opened membranes use grommets type EDK. Degree of protection = IP 66.

rated insulation voltage	U <sub>i</sub> = 690 V a.c./d.c.
rated current:	41 A
material	PP (polypropylene)
degree of protection	IP 66
width	180 mm
height	130 mm
depth	77 mm
weight	0,482 kg
tightening torque for terminal	0.5 Nm

## Drawings

Dimension drawing



with terminal blocks

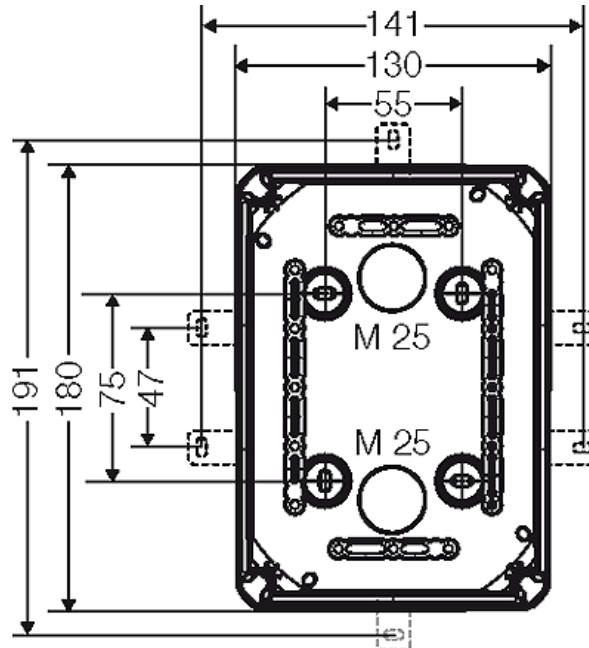


### RK 1019 T

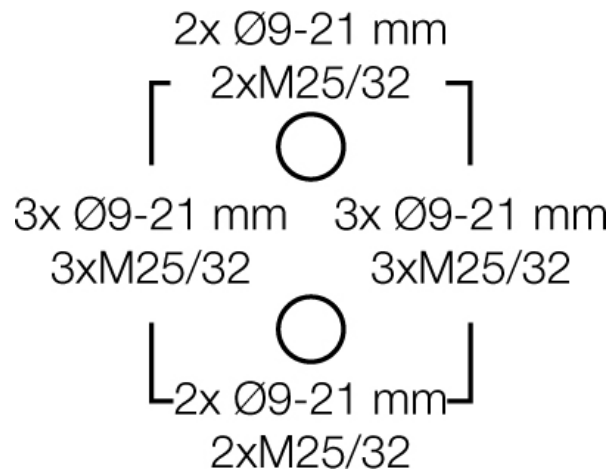
- 0.14-6 mm<sup>2</sup>, Cu



Detail mass



Box walls



### Operating and ambient conditions

Application area

Suitable for indoor installation and outdoor installation, protected against weather influences

Ambient temperature

Average value over 24 hours + 35 °C  
 Maximum value + 40 °C  
 Minimum value - 25 °C

Relative humidity	50% at 40° C short-time 100% at 25° C
Fire protection in the event of internal faults	Demands placed on electrical devices from standards and laws Minimum requirements - Glow wire test in accordance with IEC 60695-2-11: - 650°C for boxes and cable glands - 850°C for parts of insulating material necessary to retain current carrying parts in position
Burning behaviour	Glow wire test IEC 60695-2-11: 750 °C UL Subject 94: V-2 flame-retardant self-extinguishing
Degree of protection against mechanical load	IK07 (2 Joule)
Toxic behaviour	halogen-free silicone-free "halogen-free" in accordance with the examination of the cables and insulated wires - corrosiveness of fumes - as per IEC 60754-2
Note:	For material properties see technical data.