



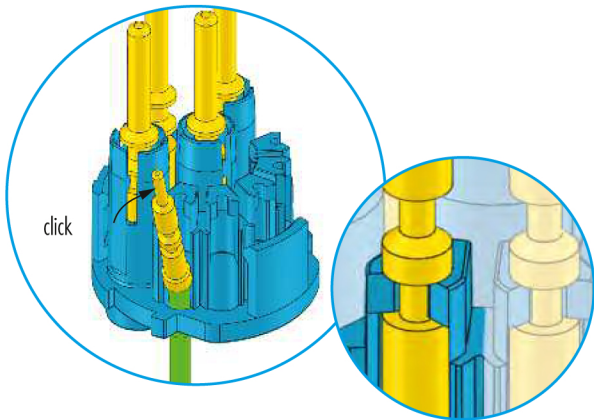
Right Angle Panel Connector TWILOCK

1.

Contact \varnothing 1 mm = max. 4 mm stripping length
Contact \varnothing 2 mm = max. 7 mm stripping length

2. *crimp*

3. *click click*



4. *click*

5. *click* PE

6. *click*

7. T10 *max. 2,7 Nm* *max. 2,7 Nm*