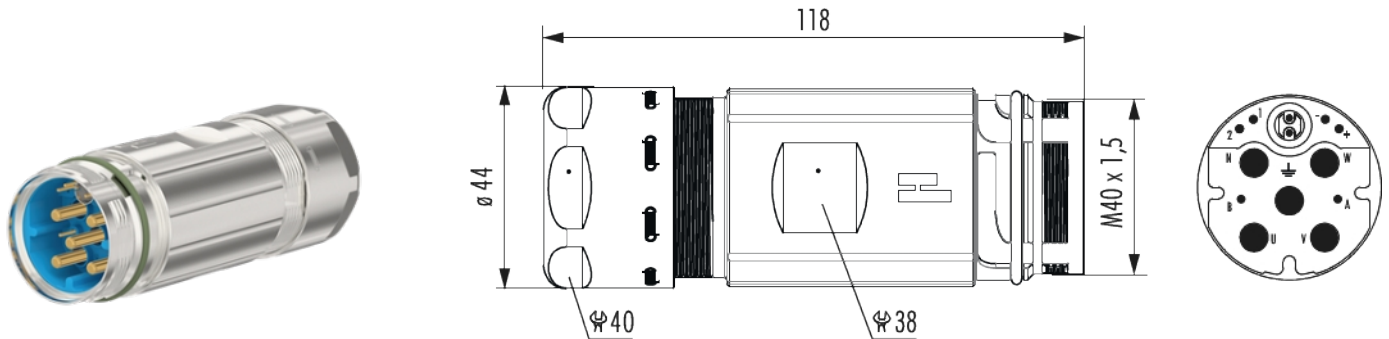


Housing incl. Insert TWILOCK-S cable connector M40 Power - 2+6+4+PE

Item number S7.720.662.00S



Technical data	
Housing type	Coupler
Material housing	Zinc Die Cast
Material housing surface	Nickel
Insert	Pin
Version	TWILOCK-S
External thread plug-in side	M40 x 1,5
TWILOCK thread	M40 x 1,5
Shield	shielded
Seal type	O-Ring
Material seals/o-rings	FKM (FPM), NBR
Cable diameter	13 - 18 mm
Length (L)	118 mm
Wrench size (SW1/SW2)	40 / 38 mm
Temperature range	-40°C to +125°C
Degree of Protection	3
Protection class	IP 67, IP 69 K



Housing incl. Insert TWILOCK-S cable connector M40 Power - 2+6+4+PE

Item number S7.720.662.00S

Commercial data	
Characteristic of connection	13
Number of poles	2 + 6 + 4 + PE
Pole picture	white
Color Ethernet insert	blue
Color contact insert	PBT
Material insulating body	PA 6
Material Ethernet insert	
Number of contacts data	2
Number of contacts signal	6
Number of contacts power	4
Number of contacts PE	1
Contact-Ø data	1 mm
Contact-Ø signal	1 mm
Contact-Ø power	3.6 mm
Terminal cross section data	0.14 – 1 mm ²
Terminal cross section signal	0.14 – 1.5 mm ²
Terminal cross section power	2.5 – 16 mm ²
Crimp range	0.14 – 16 mm ²
Nominal current data	1.2 A
Nominal current signal	7 A
Nominal current power	55 A
Nominal voltage at degree of pollution 3 data	30 V~
Nominal voltage at degree of pollution 3 signal	150 V~



Housing incl. Insert TWILOCK-S cable connector M40 Power - 2+6+4+PE

Item number S7.720.662.00S

Commercial data	
Nominal voltage at degree of pollution 3 power	600 V~
Test voltage data	840 V~
Test voltage signal	840 V~
Test voltage power	4000 V~
Insulation resistance data	10 ⁸ Ω
Insulation resistance signal	10 ⁸ Ω
Insulation resistance power	10 ⁸ Ω
Max. contact resistance data	0.003 mΩ
Max. contact resistance signal	3 mΩ
Max. contact resistance power	1 mΩ
Flammability	V-0 (UL 94)
Minimum mating cycles	> 500
Suitable data contacts	S7.015.961.001
Suitable Signal contacts	S7.015.961.001, S7.015.961.011
Suitable power contacts	S7.015.963.601, S7.015.963.611, S7.015.963.621, S7.015.963.631
Suitable PE-/FE-contacts	S7.0159.63601, S7.0159.63611, S7.015.963.621, S7.015.963.631



Housing incl. Insert TWILOCK-S cable connector M40 Power - 2+6+4+PE

Item number S7.720.662.00S

Commercial data	
Packaging Unit	5
EAN code	4033878012550
Weight	0.3474 kg
ETIM 7	EC002635
ETIM 8	EC002635
ETIM 9	EC002635
eCl@ss 10.1	27440102
Customs tariff number	85366990

Note:

