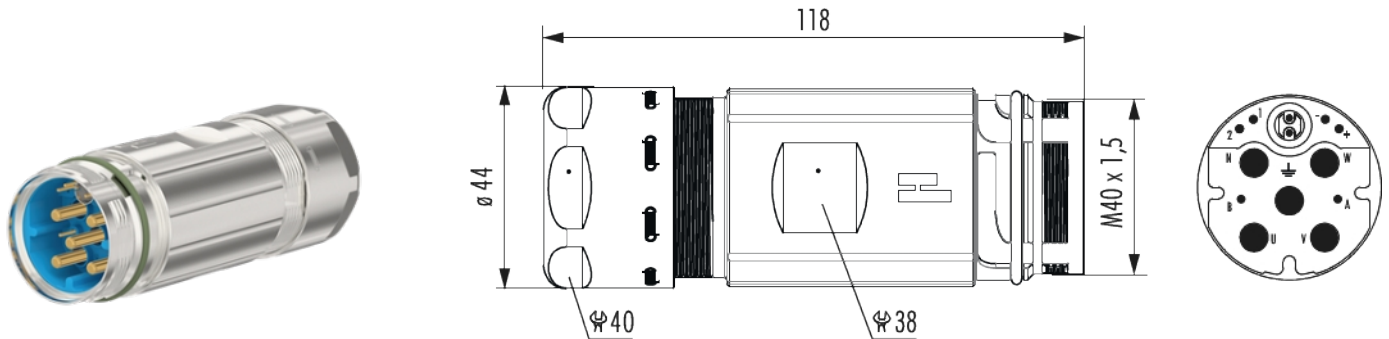


Housing incl. Insert TWILOCK-S cable connector M40 Power - 2+6+4+PE

Item number S7.720.762.00S



| Technical data | |
|------------------------------|-----------------|
| Housing type | Coupler |
| Material housing | Zinc Die Cast |
| Material housing surface | Nickel |
| Insert | Pin |
| Version | TWILOCK-S |
| External thread plug-in side | M40 x 1,5 |
| TWILOCK thread | M40 x 1,5 |
| Shield | shielded |
| Seal type | O-Ring |
| Material seals/o-rings | FKM (FPM), NBR |
| Cable diameter | 17 - 24 mm |
| Length (L) | 118 mm |
| Wrench size (SW1/SW2) | 40 / 38 mm |
| Temperature range | -40°C to +125°C |
| Degree of Protection | 3 |
| Protection class | IP 67, IP 69 K |



Housing incl. Insert TWILOCK-S cable connector M40 Power - 2+6+4+PE

Item number S7.720.762.00S

| Commercial data | |
|---|----------------------------|
| Characteristic of connection | 13 |
| Number of poles | 2 + 6 + 4 + PE |
| Pole picture | white |
| Color Ethernet insert | blue |
| Color contact insert | PBT |
| Material insulating body | PA 6 |
| Material Ethernet insert | |
| Number of contacts data | 2 |
| Number of contacts signal | 6 |
| Number of contacts power | 4 |
| Number of contacts PE | 1 |
| Contact-Ø data | 1 mm |
| Contact-Ø signal | 1 mm |
| Contact-Ø power | 3.6 mm |
| Terminal cross section data | 0.14 – 1 mm ² |
| Terminal cross section signal | 0.14 – 1.5 mm ² |
| Terminal cross section power | 2.5 – 16 mm ² |
| Crimp range | 0.14 – 16 mm ² |
| Nominal current data | 1.2 A |
| Nominal current signal | 7 A |
| Nominal current power | 55 A |
| Nominal voltage at degree of pollution 3 data | 30 V~ |
| Nominal voltage at degree of pollution 3 signal | 150 V~ |



Housing incl. Insert TWILOCK-S cable connector M40 Power - 2+6+4+PE

Item number S7.720.762.00S

| Commercial data | |
|--|--|
| Nominal voltage at degree of pollution 3 power | 600 V~ |
| Test voltage data | 840 V~ |
| Test voltage signal | 840 V~ |
| Test voltage power | 4000 V~ |
| Insulation resistance data | 10 ⁸ Ω |
| Insulation resistance signal | 10 ⁸ Ω |
| Insulation resistance power | 10 ⁸ Ω |
| Max. contact resistance data | 0.003 mΩ |
| Max. contact resistance signal | 3 mΩ |
| Max. contact resistance power | 1 mΩ |
| Flammability | V-0 (UL 94) |
| Minimum mating cycles | > 500 |
| Suitable data contacts | S7.015.961.001 |
| Suitable Signal contacts | S7.015.961.001, S7.015.961.011 |
| Suitable power contacts | S7.015.963.601, S7.015.963.611, S7.015.963.621, S7.015.963.631 |
| Suitable PE-/FE-contacts | S7.015.963.601, S7.015.963.611, S7.015.963.621, S7.015.963.631 |



Housing incl. Insert TWILOCK-S cable connector M40 Power - 2+6+4+PE

Item number S7.720.762.00S

| Commercial data | |
|-----------------------|---------------|
| Packaging Unit | 5 |
| EAN code | 4033878012567 |
| Weight | 0.34369 kg |
| ETIM 7 | EC002635 |
| ETIM 8 | EC002635 |
| ETIM 9 | EC002635 |
| eCl@ss 10.1 | 27440102 |
| Customs tariff number | 85366990 |

Note:

