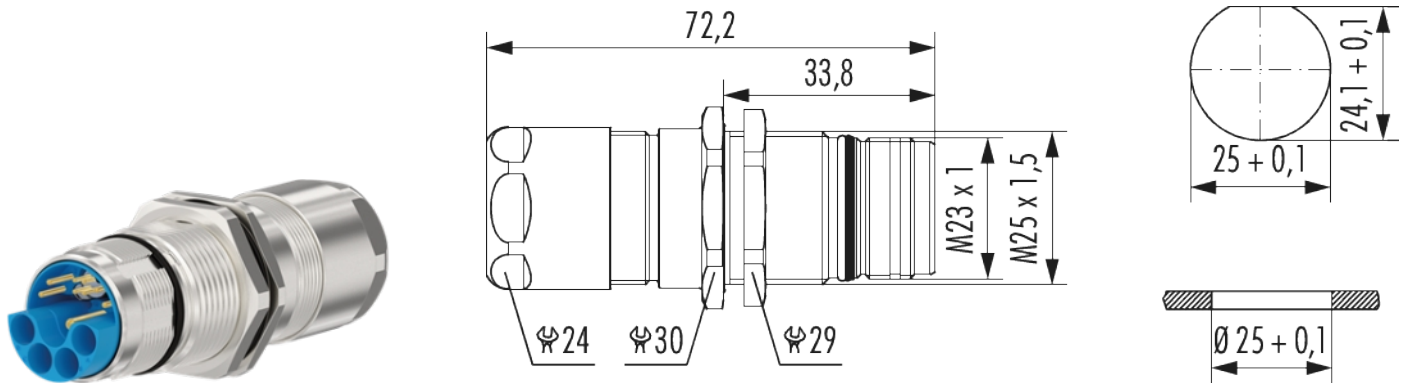


S7.653.200.00S M23 Hybrid Type 2 panel connector

Item number S7.653.200.00S



Technical data	
Housing type	
Material housing	brass
Material housing surface	Nickel
Version	TWILOCK-S
External thread plug-in side	M23 × 1
Locking type	Screw
Shield	shielded
Seal type	O-Ring
Material seals/o-rings	FKM (FPM), NBR
Panel hole	Ø 25 + 0,1 mm
Length (L)	72.2 mm
Wrench size (SW1/SW2)	30 / 29 mm
Cable diameter	7 – 12 mm
Protection class	IP 67
Temperature range	-40 °C to +125 °C
Suitable contact inserts	S7.084.954.101, S7.084.954.102

S7.653.200.00S M23 Hybrid Type 2 panel connector

Item number S7.653.200.00S

Commercial data	
Packaging unit	25
EAN code	4033878011744
Weight	0.0795 kg
ETIM 7	EC003556
ETIM 8	EC003556
ETIM 9	EC003556
Customs tariff number	85366990