

HYBRID CONNECTORS

M16 | M23 | M40

ALL-IN-ONE: POWER, SIGNAL & ETHERNET



HYBRID SOLUTIONS

M40 Hybrid / M23 Hybrid / M16 (12+3)

Hybrid solutions save time, space and money

Single-cable solutions with hybrid connectors (OCT – One Cable Technology) are becoming increasingly important in automation and robotics. They transmit power, signals and Ethernet in a single connection. This saves assembly time, space and money. The connectors are characterized by their absolute suitability for industrial applications. Metal housings protect the impact-sensitive contact inserts safely and reliably. The various housings, inserts and contacts can be combined and thus offer a large number of variants.

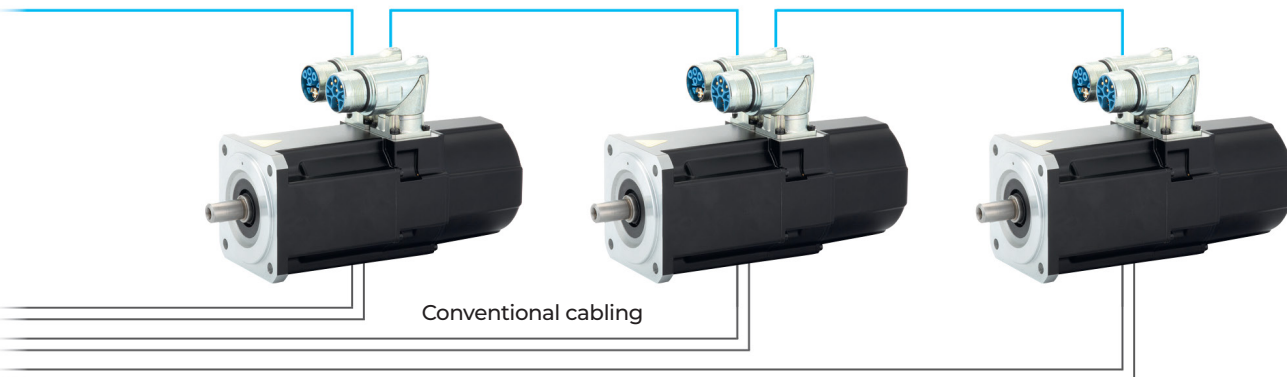
Hybrid solutions

- Reduced number of connectors
- Reduced assembly effort
- UL and VDE approvals
- Mechanical protection of the contact inserts
- Additional option: Combining different cables into one connector (multi-use)



One Cable Technology (Daisy Chain)

- Reduced number of cables
- Reduced cabling complexity
- Less weight, less space
- Shorter assembly time



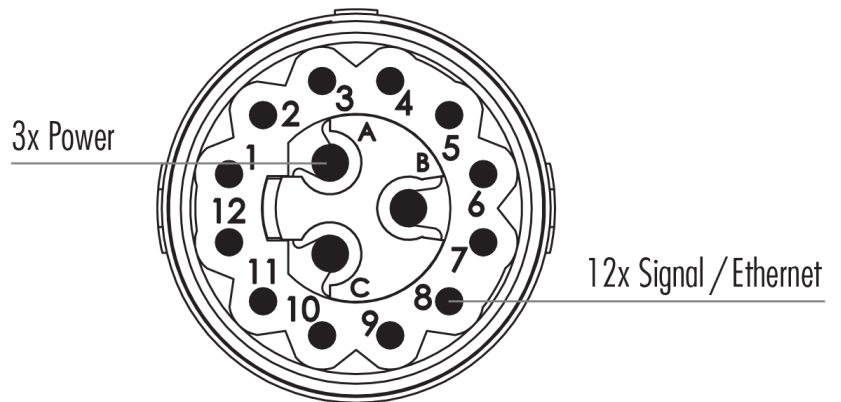
HYBRID SOLUTIONS

M16 (12+3)

The proven and compact connection

The M16 connector (12+3) offers a proven solution with power processing up to 12 A and a data transfer rate of up to 100 Mbit/s. The user receives a compact connection solution with attractive performance.

- Proven and compact solution
- Power processing up to 12 A
- Low space requirement, low weight
- Perfect for narrow installation space and small devices

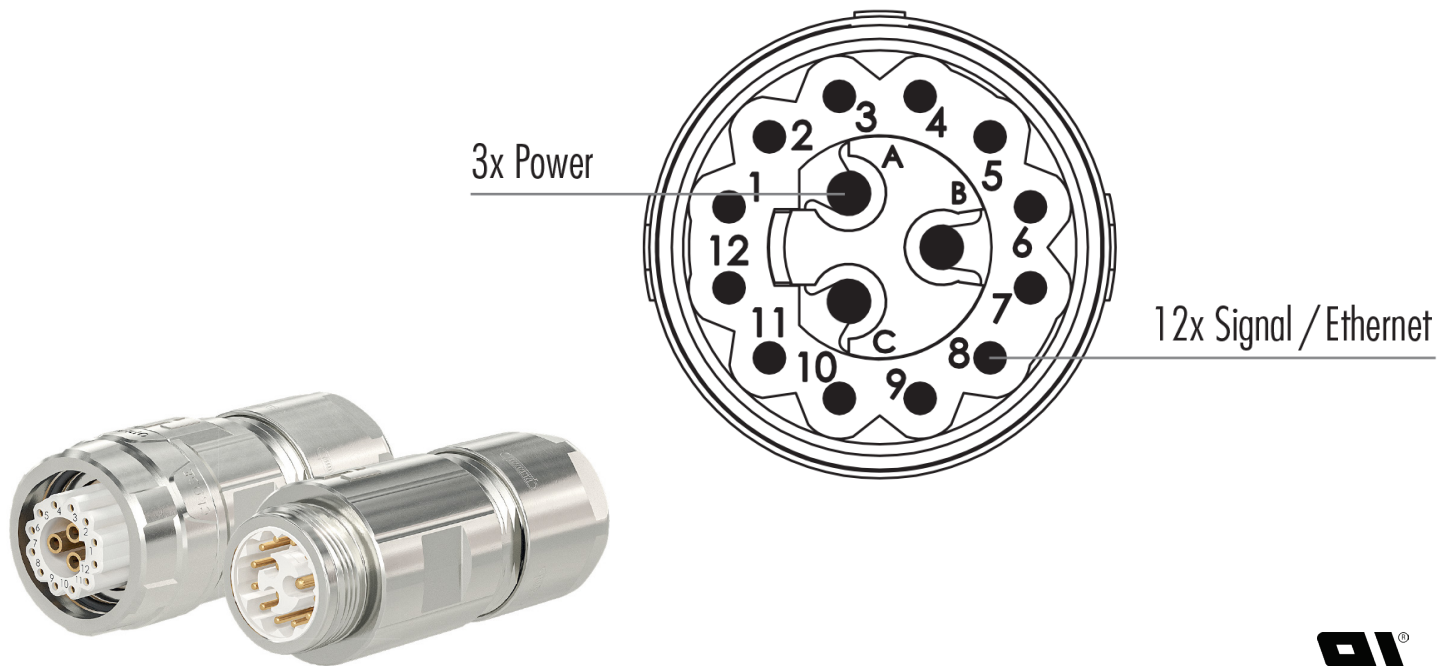


Electrical Data		
	Power	Signal / Ethernet
Number of contacts	3	12
Contact diameter	1.25 mm	0.8 mm
AWG	16-20	22-30
Nominal current	12 A	3 A
Nominal voltage	60 V~	24 V~
Test voltage	2500 V~	1500 V~
Data transfer	-	Cat5e

HYBRID SOLUTIONS

M16 inserts – 15-pole

Electrical Data			
Material insulating body	PA 6, PBT	Nominal voltage at degree of pollution 3 power	60 V~
Contact Ø	0.8 mm 1.25 mm	Temperature range	-40 °C to +125 °C
Nominal current signal	3 A	Degree of protection	3
Nominal current power	10 A	Minimum mating cycles	> 1000
Nominal voltage at degree of pollution 3 signal	24 V~		



Characteristic of connection	Number of poles	Pole picture	Insert	Item-No
PCB assembly	15	12 + 3	Socket	S7.001.985.108
PCB assembly	15	12 + 3	Socket	S7.001.985.118
PCB assembly	15	12 + 3	Pin	S7.001.985.127
PCB assembly	15	12 + 3	Pin	S7.001.985.137
Crimp	15	12 + 3	Pin	S7.003.985.101
Crimp	15	12 + 3	Socket	S7.003.985.102
PCB assembly	15	12 + 3	Pin	S7.001.985.137
Crimp	15	12 + 3	Pin	S7.003.985.101
Crimp	15	12 + 3	Socket	S7.003.985.102

HYBRID SOLUTIONS

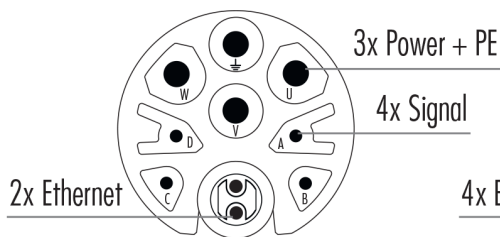
M23 Hybrid

The powerful all-in-one solution

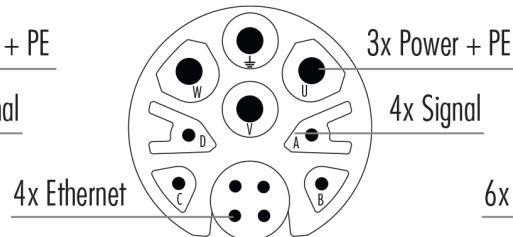
The M 23 Hybrid is the compact all-in-one solution for power, Fast Ethernet and signal transmission. The connector transmits data > 500 Mbit/s with high power density. This makes the M 23 Hybrid the ideal solution for single cable applications in automation and robotics.

- Numerous housing types
- Screw or quick-lock fastener
- Modular design offers many variants
- TWILOCK
- PVVA / PVVA7: E494488

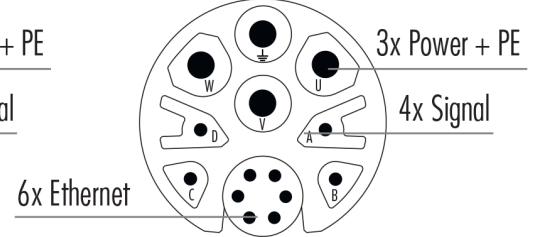
Type 1 (2+4+3+PE)



Type 1 (4+4+3+PE)



Type 1 (6+4+3+PE)

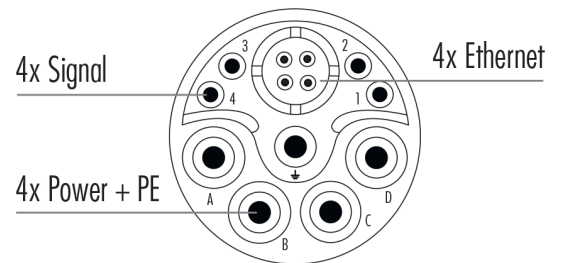


Type 1

Type 2



Type 2 (4+4+4+PE)



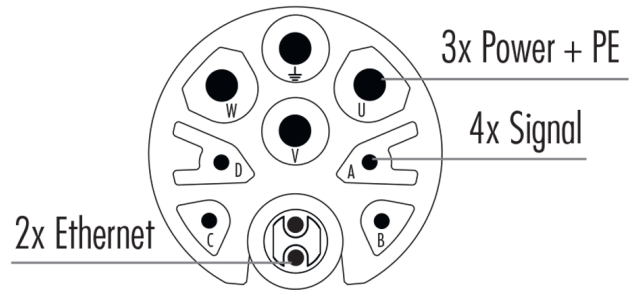
Electrical Data	Type 1			Type 2		
	Power	Signal	Ethernet	Power	Signal	Ethernet
Number of contacts	3+PE	4	2 / 4 / 6	4+PE	4	4
Contact diameter	2 mm	1 mm	1 / 0,6 / 0,6 mm	2 mm	1 mm	0,8 mm
AWG	12–20	16–26	16–26 / 22–30 / 22–30	12–20	16–26	22–30
Nominal current	28 A	8 A	2 / 1,2 / 1,2 A	28 A	8 A	2 A
Nominal voltage	600 V AC, 850 V DC	300 V~	60 / 60 / 30 V~	600 V AC, 850 V DC	50 V~	50 V~
Test voltage	4000 V~	2500 V~	500 V~	3310 V~	500 V~	500 V~
Data transfer	–	–	Cat5e	–	–	Cat5e

HYBRID SOLUTIONS

M23 Hybrid inserts – 10-pole

Electrical Data			
Material insulating body	PBT	Nominal voltage at degree of pollution 3 signal	300 V~
Contact Ø	1 mm	Nominal voltage at degree of pollution 3 power	600 V~
Nominal current data	1,2 A	Temperature range	-40 °C to +125 °C
Nominal current signal	8 A	Degree of protection	3
Nominal current power	28 A	Minimum mating cycles	> 500
Nominal voltage at degree of pollution 3 data	30 V~		

Type 1 (2+4+3+PE)

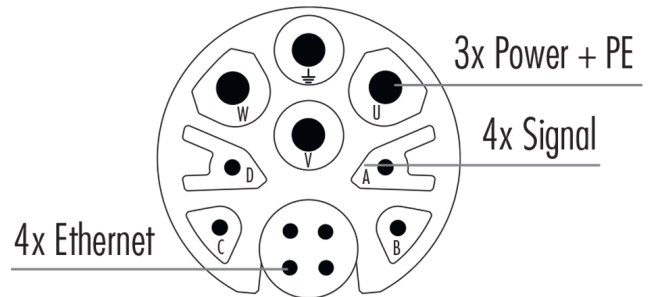


Characteristic of connection	Number of poles	Pole picture	Coding	Insert	Color Ethernet insert	Item-No
Crimp	10	2 + 4 + 3 + PE	PE	Pin	white	S7.084.942.101
Crimp	10	2 + 4 + 3 + PE	PE	Socket	white	S7.084.942.102

M23 Hybrid inserts – 12-pole

Electrical Data			
Material insulating body	PA 6, PBT	Nominal voltage at degree of pollution 3 signal	300 V~
Contact Ø	0.6 mm, 1 mm, 2 mm	Nominal voltage at degree of pollution 3 power	600 V~
Nominal current data	2 A	Temperature range	-40 °C to +125 °C
Nominal current signal	8 A	Degree of protection	3
Nominal current power	28 A	Minimum mating cycles	> 500
Nominal voltage at degree of pollution 3 data	60 V~		

Type 1 (4+4+3+PE)



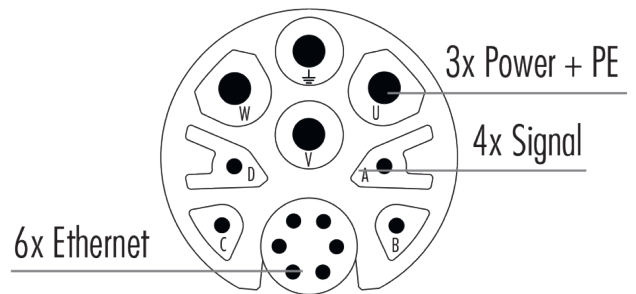
Characteristic of connection	Number of poles	Pole picture	Coding	Insert	Color Ethernet insert	Item-No
Crimp	12	4 + 4 + 3 + PE	PE	Pin	white	S7.084.944.101
Crimp	12	4 + 4 + 3 + PE	PE	Socket	white	S7.084.944.102

HYBRID SOLUTIONS

M23 Hybrid inserts – 14-pole

Electrical Data			
Nominal current data	1,2 A	Nominal voltage at degree of pollution 3 power	600 V~
Nominal current signal	8 A	Temperature range	-40 °C to +125 °C
Nominal current power	28 A	Degree of protection	3
Nominal voltage at degree of pollution 3 data	30 V~	Minimum mating cycles	> 500
Nominal voltage at degree of pollution 3 signal	300 V~	Minimum mating cycles	> 500
Nominal voltage at degree of pollution 3 data	30 V~		

Type 1 (6+4+3+PE)

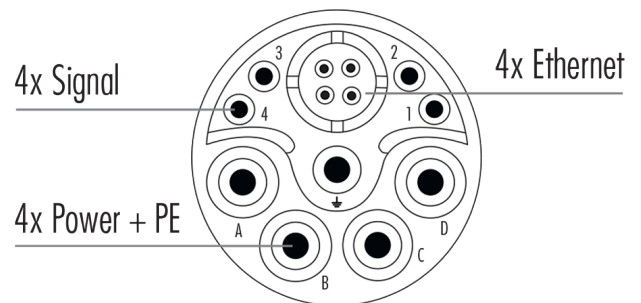


Characteristic of connection	Number of poles	Pole picture	Coding	Insert	Color Ethernet insert	Item-No
Crimp	14	6 + 4 + 3 + PE	PE	Pin	white	S7.084.946.101
Crimp	14	6 + 4 + 3 + PE	PE	Socket	white	S7.084.946.102

M23 Hybrid inserts – 13-pole

Electrical Data			
Material insulating body	PBT	Nominal voltage at degree of pollution 3 power	600 V~
Nominal current signal	8 A	Temperature range	-40 °C to +125 °C
Nominal current power	28 A	Degree of protection	3
Nominal voltage at degree of pollution 3 signal	50 V~	Minimum mating cycles	> 500
Nominal current power	28 A	Minimum mating cycles	> 500
Nominal voltage at degree of pollution 3 data	60 V~		

Type 2 (4+4+4+PE)



Characteristic of connection	Number of poles	Pole picture	Coding	Insert	Color Ethernet insert	Item-No
Crimp	13	4 + 4 + 4 + PE	PE	Pin	white	S7.084.954.101
Crimp	13	4 + 4 + 4 + PE	PE	Socket	white	S7.084.954.102

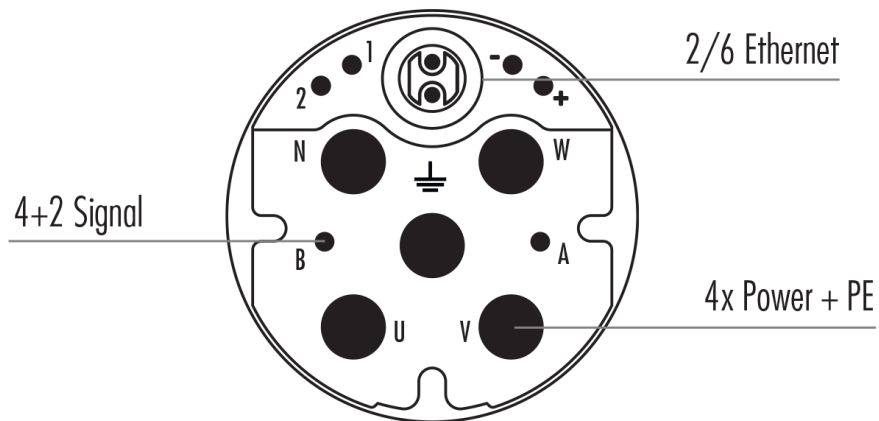
HYBRID SOLUTIONS

M40 Hybrid

The robust power pack

The M40 Hybrid combines the power of the standard series with the versatility of a hybrid connector. This circular connector transmits power up to 55 A and data rates up to 100 Mbit/s in parallel. A special feature is the high electrical characteristics of the signal contacts. They enable servo technology users to realize transmission rates of up to 300 V/8 A for brakes.

- Compact and robust design
- Absolute industrial suitability for harsh environments
- Screw or quick-lock fastener
- TWILOCK-S: Female side intermateable with Speedtec



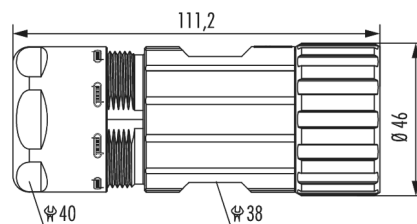
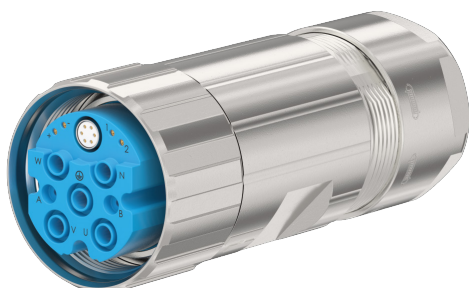
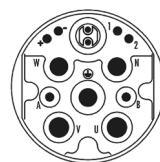
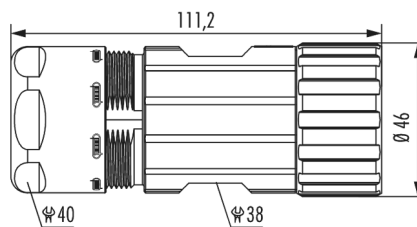
HYBRID SOLUTIONS

M40 Hybrid

Electrical Data			
	Power	Signal	Ethernet
Number of contacts	4 + PE	4 + 2	2 / 6
Contact diameter	3.6 mm	1 mm	1 / 0.6 mm
AWG	8-16	16-26	16-26 / 22-30
Nominal current	55 A	7 A	2 / 1.2 A
Nominal voltage	630 V AC, 850 V DC	150 / 300 V~	30 V~
Test voltage	4000 V~	500 / 1500 V~	500 V~
Data transfer	-	-	Cat5e

M40 Hybrid cable connector

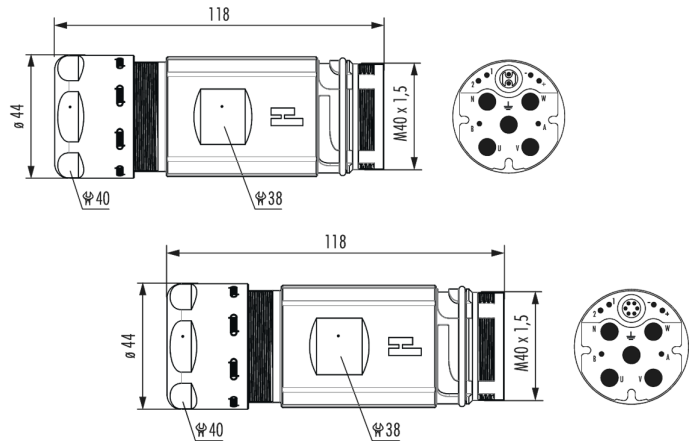
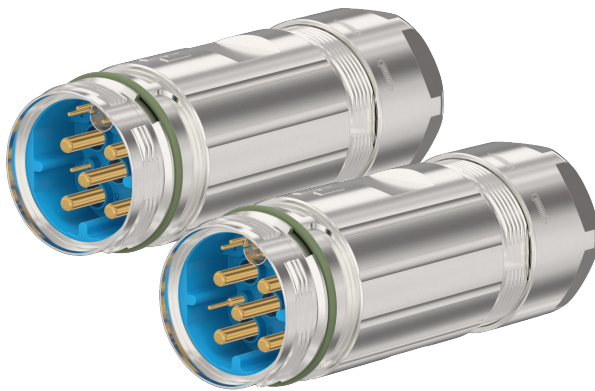
Version	Shield	Cable Ø	Number of poles	Pole picture	Item-No
Screw	shielded	13 - 18 mm	13	2 + 6 + 4 + PE	S7.710.662.000
Screw	shielded	13 - 18 mm	17	6 + 6 + 4 + PE	S7.710.666.000
Screw	shielded	17 - 24 mm	13	2 + 6 + 4 + PE	S7.710.762.000
Screw	shielded	17 - 24 mm	17	6 + 6 + 4 + PE	S7.710.766.000
Screw	shielded	21 - 28 mm	13	2 + 6 + 4 + PE	S7.710.862.000
Screw	shielded	21 - 28 mm	17	6 + 6 + 4 + PE	S7.710.866.000



HYBRID SOLUTIONS

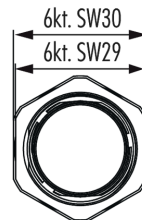
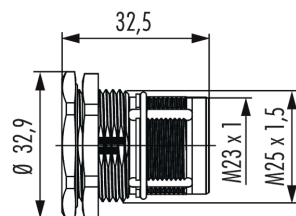
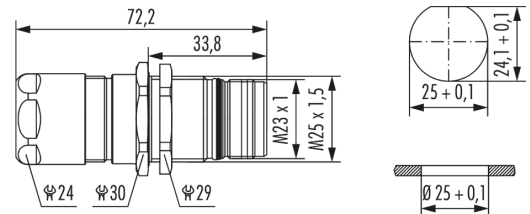
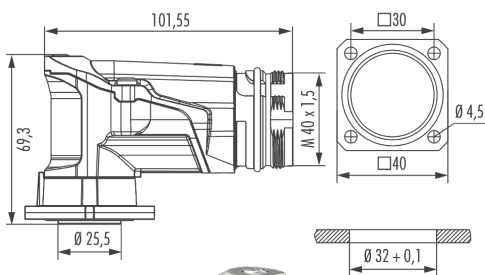
M40 Hybrid coupler connector

Version	Shield	Cable Ø	Number of poles	Pole picture	Item-No
TWILOCK-S	shielded	13 – 18 mm	13	2 + 6 + 4 + PE	S7.720.662.00S
TWILOCK-S	shielded	13 – 18 mm	13	6 + 6 + 4 + PE	S7.720.666.00S
TWILOCK-S	shielded	17 – 24 mm	13	2 + 6 + 4 + PE	S7.720.762.00S
TWILOCK-S	shielded	17 – 24 mm	17	6 + 6 + 4 + PE	S7.720.766.00S
TWILOCK-S	shielded	21 – 28 mm	13	2 + 6 + 4 + PE	S7.720.862.00S
TWILOCK-S	shielded	21 – 28 mm	17	6 + 6 + 4 + PE	S7.720.866.00S



M40 Hybrid panel connector

Version	Shield	Number of poles	Pole picture	Item-No
TWILOCK-S, right angled	unshielded	13	2 + 6 + 4 + PE	S7.749.062.00S
TWILOCK-S, right angled	unshielded	17	6 + 6 + 4 + PE	S7.749.066.00S



INDUSTRIAL ETHERNET SOLUTIONS

M23 Profinet / M23 RJ45

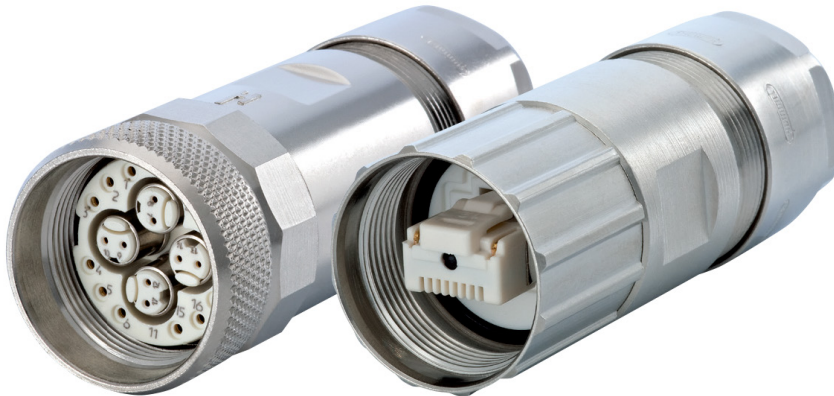
The M23 RJ45 and M23 Profinet connector series ideally complement to the Industrial Ethernet range. These two connection solutions are proven variants suitable for industrial applications for transmitting high data rates in automation and robotics. They are available in numerous housing designs. The robust metal housing provides reliable mechanical protection for the impact-sensitive contact inserts even in harsh environments.

M23 Profinet PoE

- Proven and compact solution
- Power processing up to 12 A
- Low space requirement, low weight
- Perfect for narrow installation space and small devices

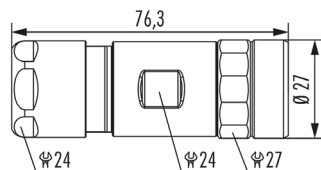
M23 RJ45

- Robust metal housing for RJ45 patch cable
- Industrial use of common network cables
- Protection class IP 67 (connected)
- Suitable for continuous operation or maintenance interface
- Different designs for a wide range of applications



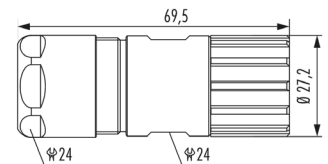
Housing type	Cable
Material housing	Zinc die cast, brass
Material housing surface	Nickel
Temperature range	-40 °C to +125 °C
Protection class	IP 67

Housing type	Cable
Material housing	Zinc die cast, brass
Material housing surface	Nickel
Seal type	O-Ring
Temperature range	-40 °C to +125 °C
Protection class	IP 67, IP 69 K



M23 Profinet PoE

Version	Shield	Cable Ø	Item-No
Screw	shielded	11 – 17 mm	S7.108.600.000



M23 RJ45

Version	Shield	Cable Ø	Item-No
Screw	unshielded	3 – 7 mm	S7.R10.400.000

Industries Served

Wind
Motors
Lighting
Robotics
Telecom
Hazardous

Automation
Packaging
Diagnostic
Sensing
Military
Automotive

Food & Beverage
Marine
Medical
Traffic
Pharmaceutical
Transportation



7374 S. Eagle Street Centennial, CO 80112 USA

800-456-9012 / 303-699-1135

Info@SealconUSA.com

www.SealconUSA.com

 [linkedin.com/company/Sealcon](https://www.linkedin.com/company/Sealcon)

 [facebook.com/SealconLLC](https://www.facebook.com/SealconLLC)

 [instagram.com/SealconUSA/](https://www.instagram.com/SealconUSA/)

 [youtube.com/channel/UCVrVKedbu-yybLXdJVDk3AQ](https://www.youtube.com/channel/UCVrVKedbu-yybLXdJVDk3AQ)

V1 2026