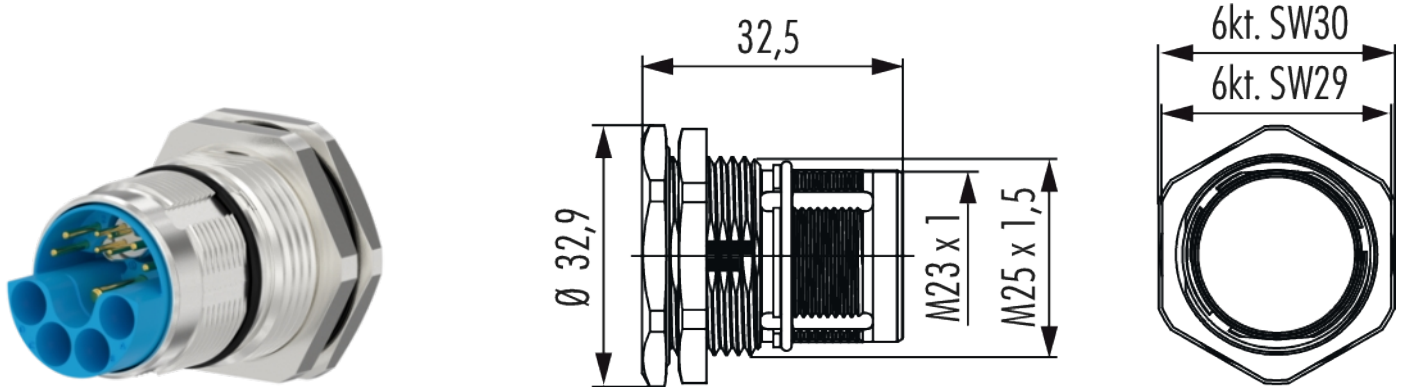


S7.651.000.00S M23 Hybrid Type 2 panel connector

Item number S7.651.000.00S



Technical data	
Housing type	
Material housing	brass
Material housing surface	Nickel
Installation type	Rear wall
Version	Screw , TWILOCK-S
External thread plug-in side	M23 x 1
Locking type	Screw
Shield	unshielded
Seal type	O-Ring
Material seals/o-rings	NBR
Panel hole	Ø 25 + 0,1 mm
Length (L)	32.6 mm
Wrench size (SW)	30 mm
Protection class	IP 67
Temperature range	-40°C to +125°C
suitable contact inserts	7084954101 , 7084954102

S7.651.000.00S M23 Hybrid Type 2 panel connector

Item number S7.651.000.00S

Commercial data	
Packaging Unit	25
EAN code	4033878011652
Weight	0.03883 kg
ETIM 7	EC003556
ETIM 8	EC003556
ETIM 9	EC003556
eCl@ss 10.1	27440224
Customs tariff number	85366990

